

**DIFFERENTIAL PRESSURE TRANSMITTER DETAIL**

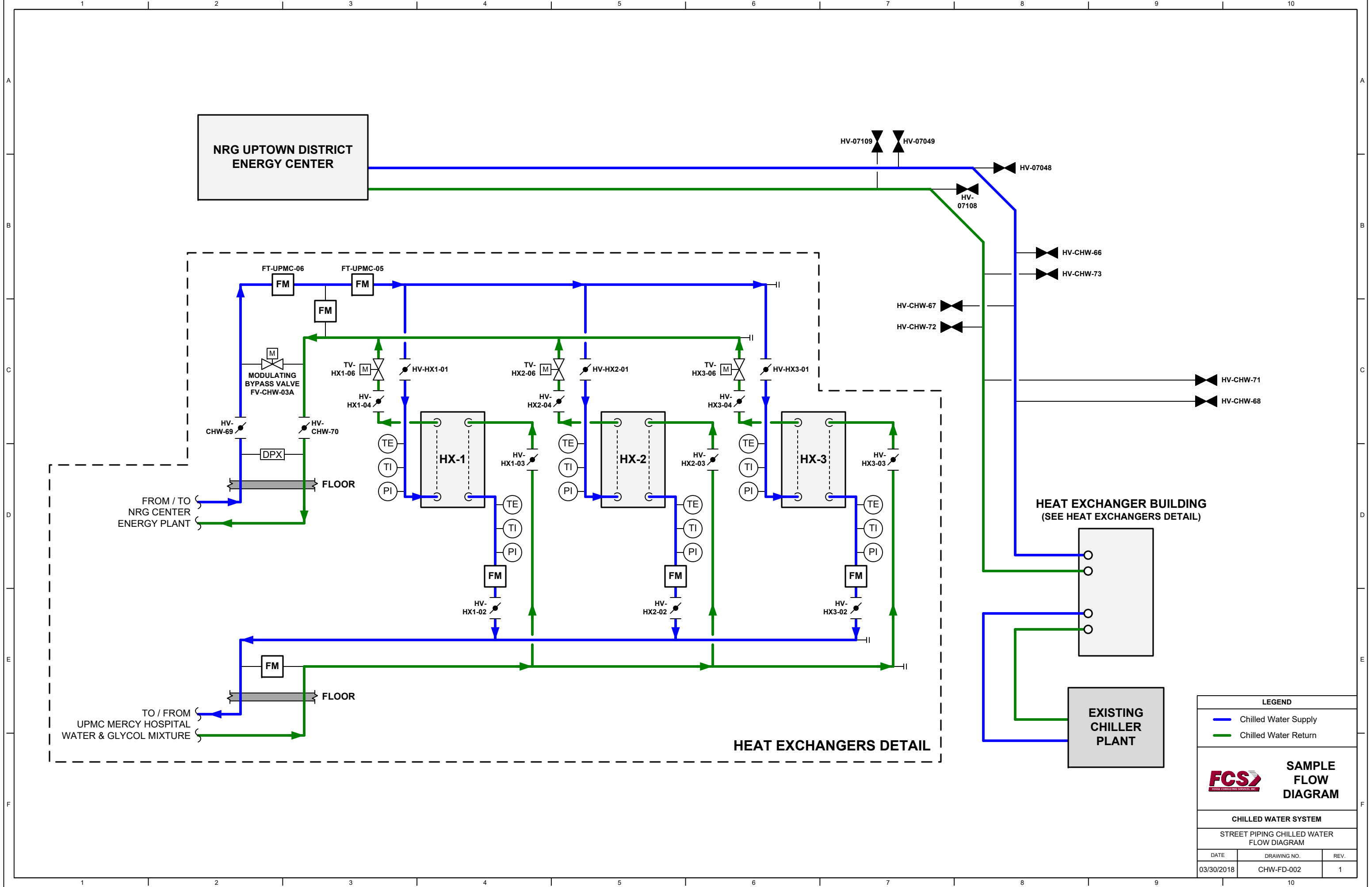
- LEGEND**
- Chilled Water Supply
  - Chilled Water Return
  - Chilled Water Chemical Addition
  - Chilled Water Corrosion Monitoring
  - Makeup Water
  - Air Release Path

**FCS** **SAMPLE FLOW DIAGRAM**

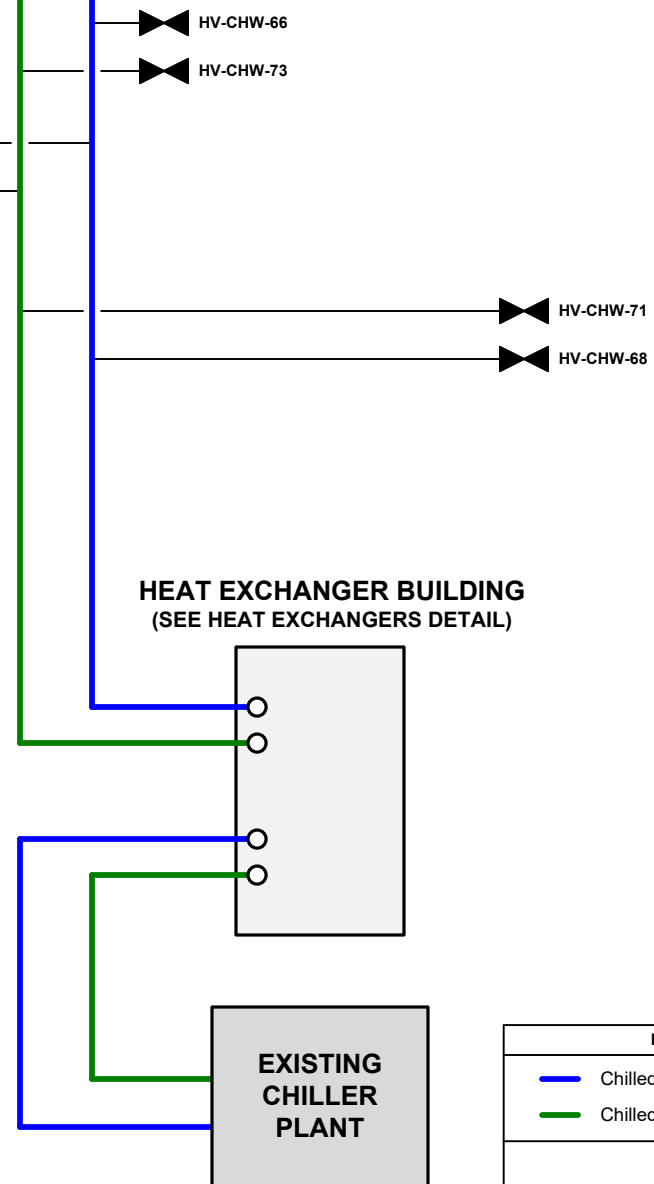
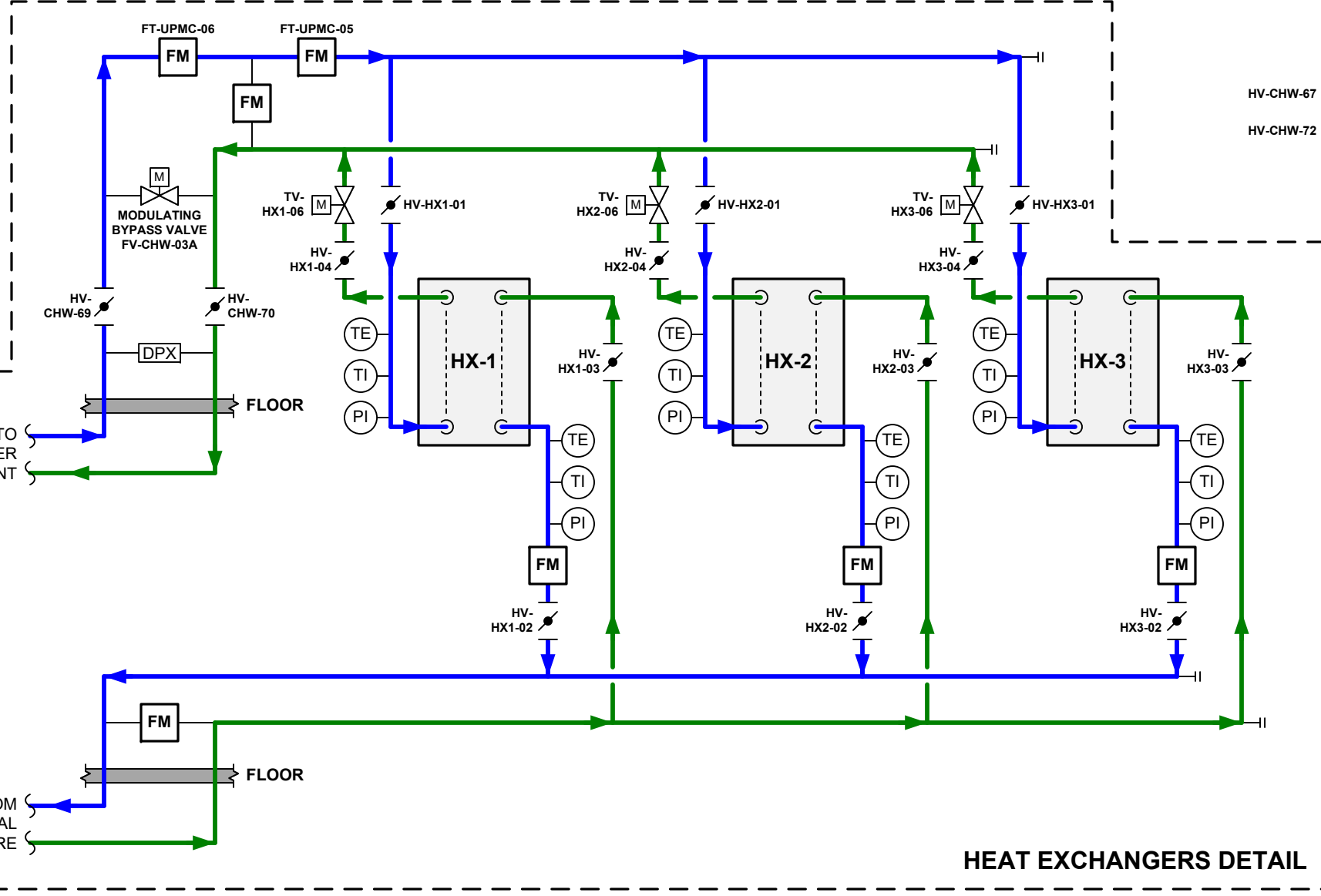
**CHILLED WATER SYSTEM**

CHILLED WATER PRIMARY FLOWPATH

DATE	DRAWING NO.	REV.
03/30/2018	CHW-FD-001	1



**NRG UPTOWN DISTRICT ENERGY CENTER**



LEGEND		
<span style="color: blue;">—</span>	Chilled Water Supply	
<span style="color: green;">—</span>	Chilled Water Return	
<b>FCS</b>		
<b>SAMPLE FLOW DIAGRAM</b>		
<b>CHILLED WATER SYSTEM</b>		
STREET PIPING CHILLED WATER FLOW DIAGRAM		
DATE	DRAWING NO.	REV.
03/30/2018	CHW-FD-002	1