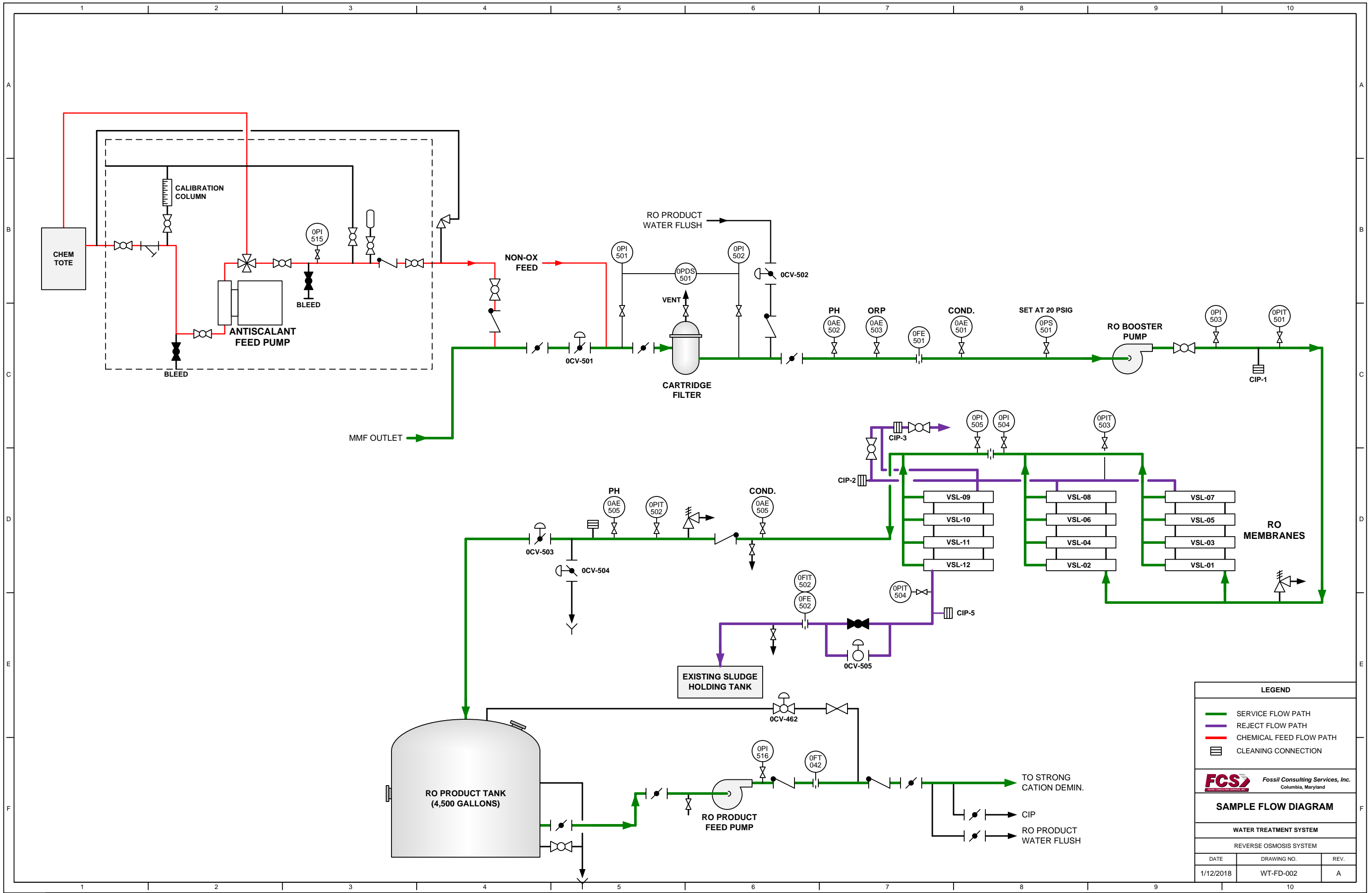


| LEGEND | | |
|---|------------------------------|------|
| — | SERVICE FLOW PATH | |
| — | MMF BACKWASH/RINSE FLOW PATH | |
| FCS Fossil Consulting Services, Inc. Columbia, Maryland | | |
| SAMPLE FLOW DIAGRAM | | |
| WATER TREATMENT SYSTEM | | |
| RO FEEDWATER | | |
| DATE | DRAWING NO. | REV. |
| 1/12/2018 | WT-FD-001 | A |



LEGEND

- SERVICE FLOW PATH
- REJECT FLOW PATH
- CHEMICAL FEED FLOW PATH
- CLEANING CONNECTION

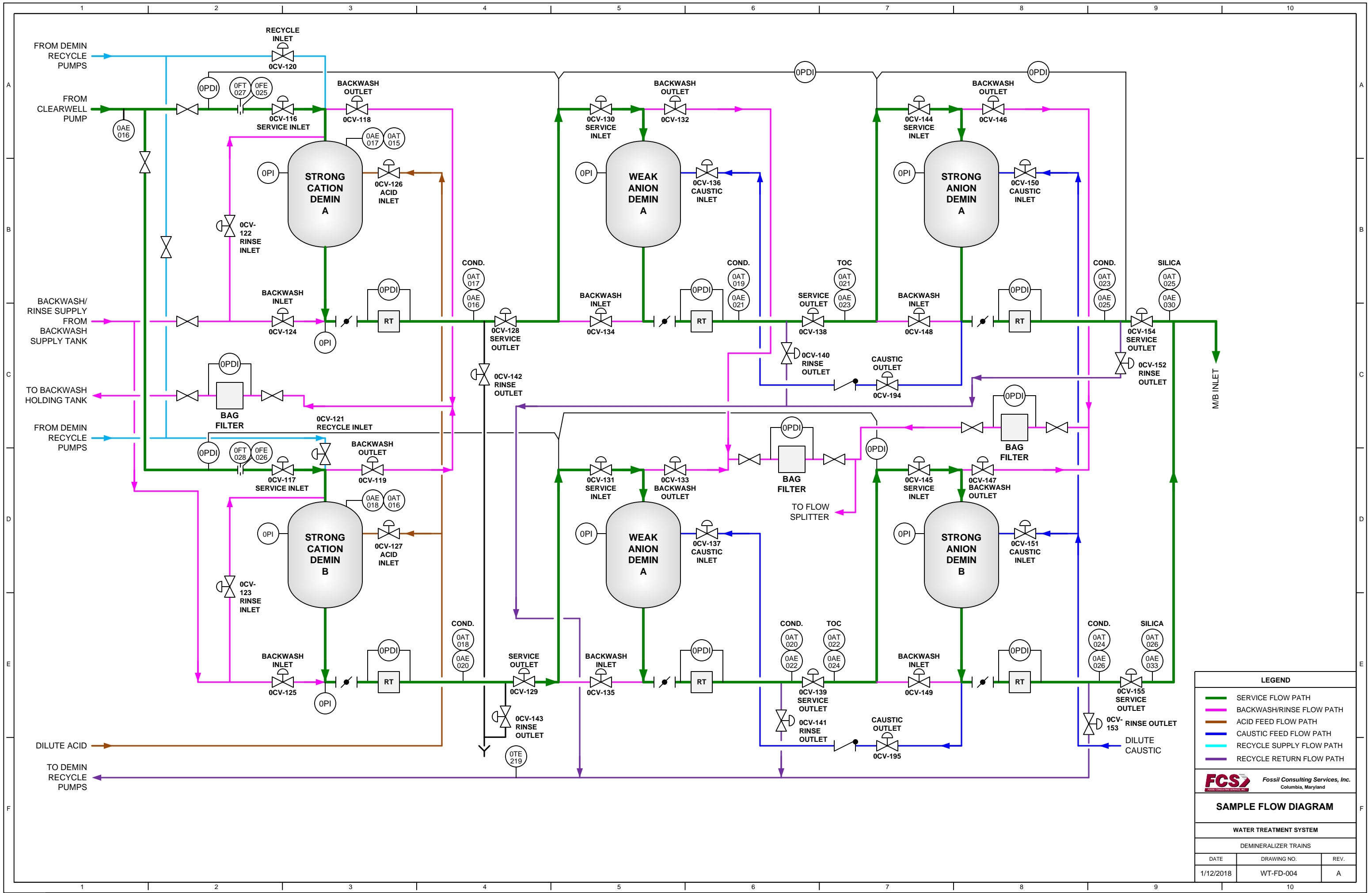
FCS2 Fossil Consulting Services, Inc.
Columbia, Maryland

SAMPLE FLOW DIAGRAM

WATER TREATMENT SYSTEM

REVERSE OSMOSIS SYSTEM

| DATE | DRAWING NO. | REV. |
|-----------|-------------|------|
| 1/12/2018 | WT-FD-002 | A |



LEGEND

- SERVICE FLOW PATH
- BACKWASH/RINSE FLOW PATH
- ACID FEED FLOW PATH
- CAUSTIC FEED FLOW PATH
- RECYCLE SUPPLY FLOW PATH
- RECYCLE RETURN FLOW PATH

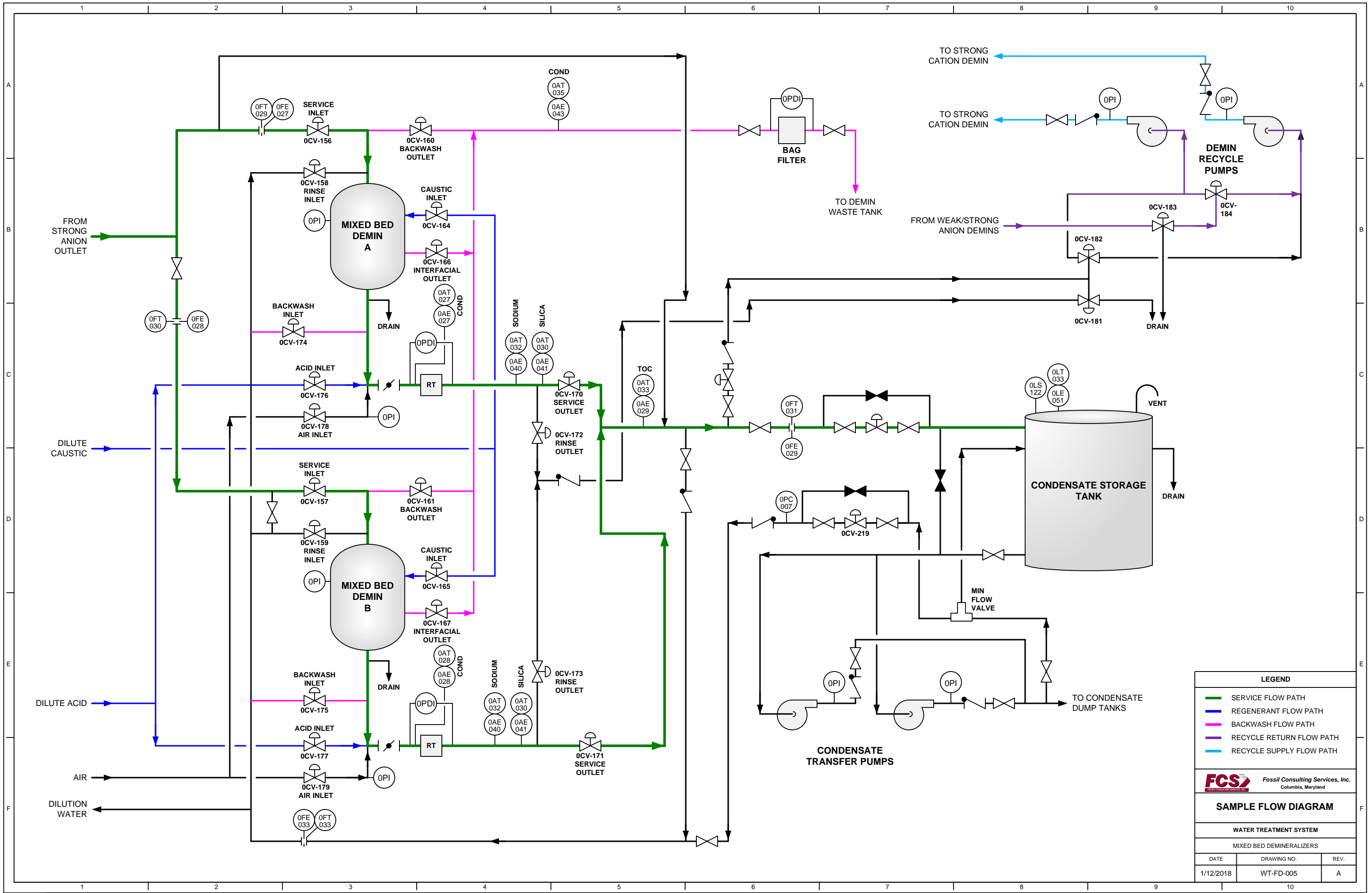
FCS Fossil Consulting Services, Inc.
Columbia, Maryland

SAMPLE FLOW DIAGRAM

WATER TREATMENT SYSTEM

DEMINERALIZER TRAINS

| DATE | DRAWING NO. | REV. |
|-----------|-------------|------|
| 1/12/2018 | WT-FD-004 | A |



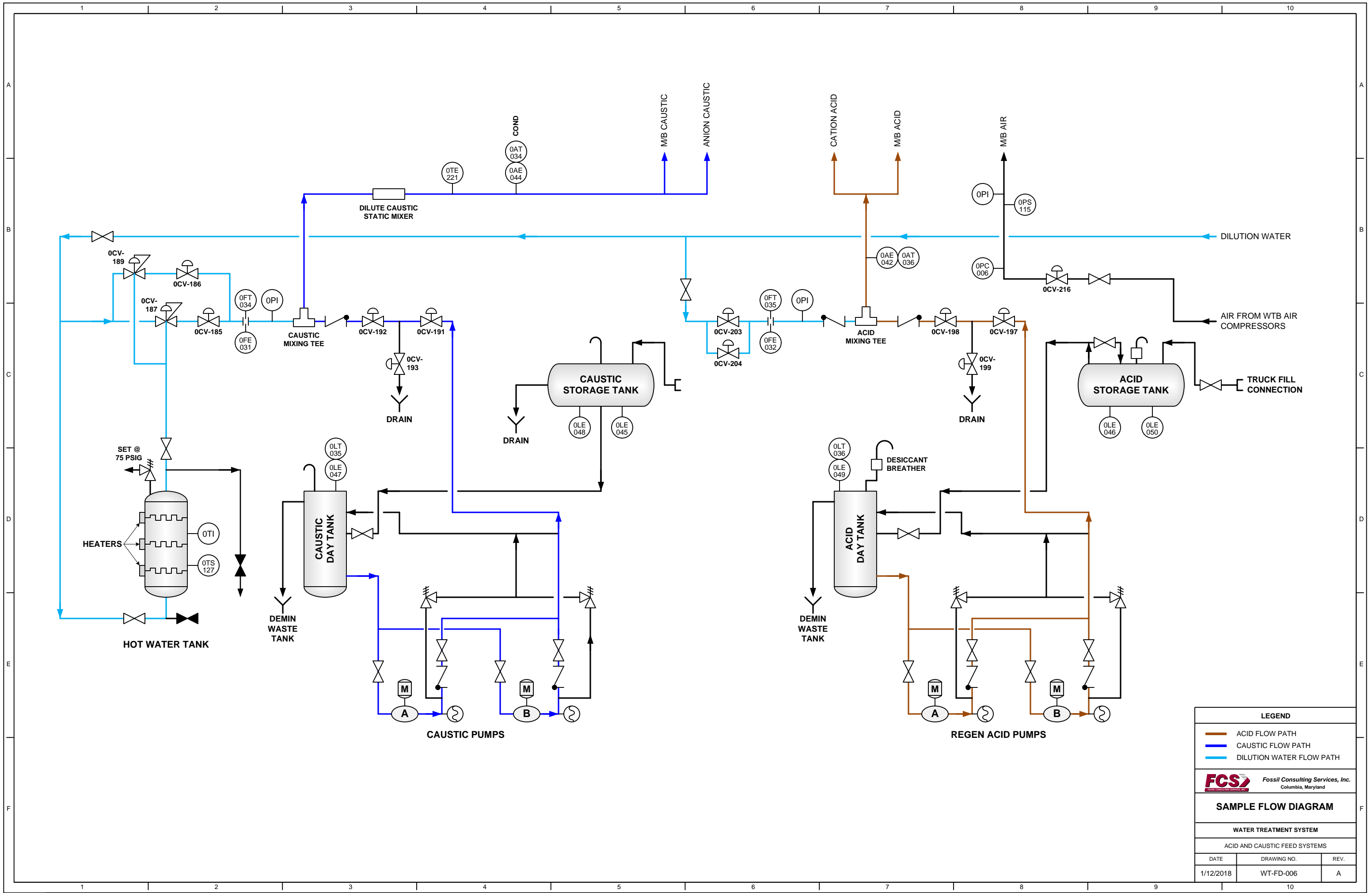
LEGEND

- SERVICE FLOW PATH
- REGENERANT FLOW PATH
- BACKWASH FLOW PATH
- RECYCLE RETURN FLOW PATH
- RECYCLE SUPPLY FLOW PATH

FCS Fossil Consulting Services, Inc.
Columbia, Maryland

SAMPLE FLOW DIAGRAM

| WATER TREATMENT SYSTEM | | |
|--------------------------|-------------|------|
| MIXED BED DEMINERALIZERS | | |
| DATE | DRAWING NO. | REV. |
| 1/12/2018 | WT-FD-005 | A |



LEGEND

- ACID FLOW PATH
- CAUSTIC FLOW PATH
- DILUTION WATER FLOW PATH

FCS₂ Fossil Consulting Services, Inc.
Columbia, Maryland

SAMPLE FLOW DIAGRAM

WATER TREATMENT SYSTEM

ACID AND CAUSTIC FEED SYSTEMS

| DATE | DRAWING NO. | REV. |
|-----------|-------------|------|
| 1/12/2018 | WT-FD-006 | A |